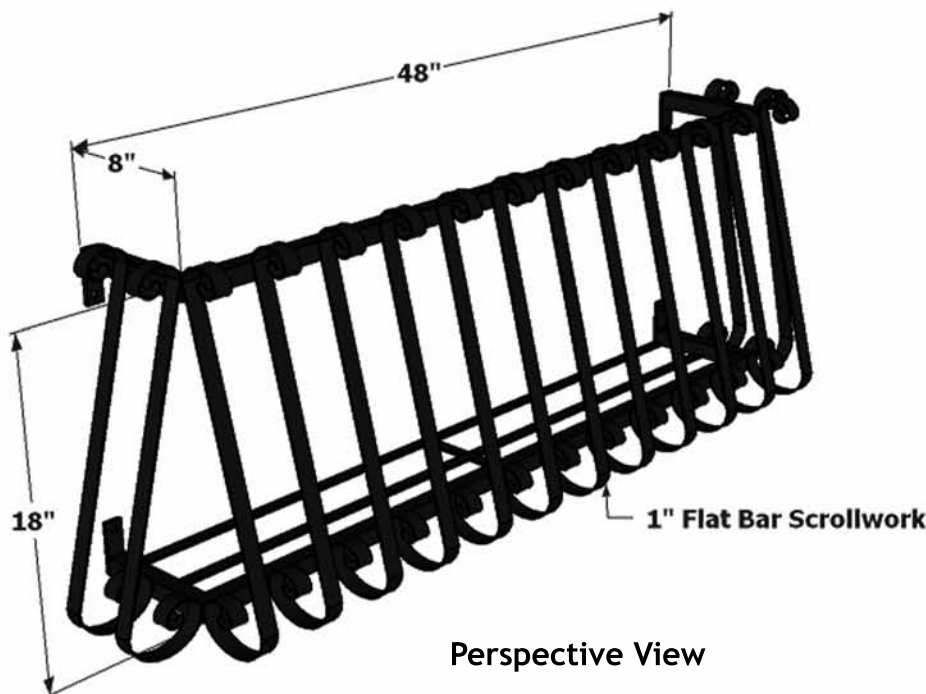


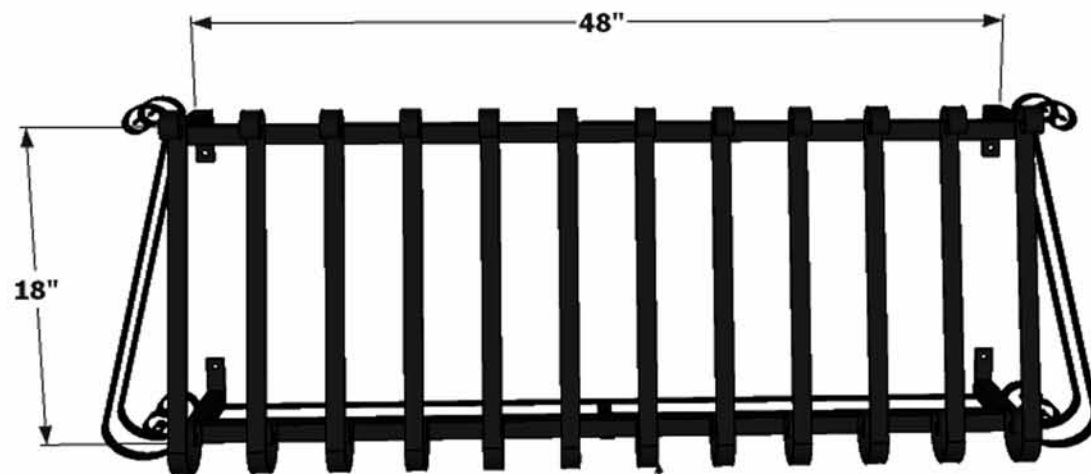
Rear View

3/4" Flat Bar
for Base Support

3" x 1" Mount Tabs
Typ



Perspective View



Front View

1" Flat Bar Scrollwork

Date: 12-16-2010
Revision:
Sheet: A
PN# 708-BAL-4818-8

Drawn by:
Content:

KE
European
Faux Balcony
48" x 18" x 8"

Design by Hooks and Lattice
All visual representations and designs are the intellectual property of Hooks and Lattice and protected under copy-right law. Any duplication of this design or any element is in direct violation of the law and will result in legal action.

© Copyrighted 2008-2010

Customer Approval: _____

Hooks & Lattice
A GARDEN (HL) MARKET
www.hooksandlattice.com
1-800-896-0978 1-760-603-0888